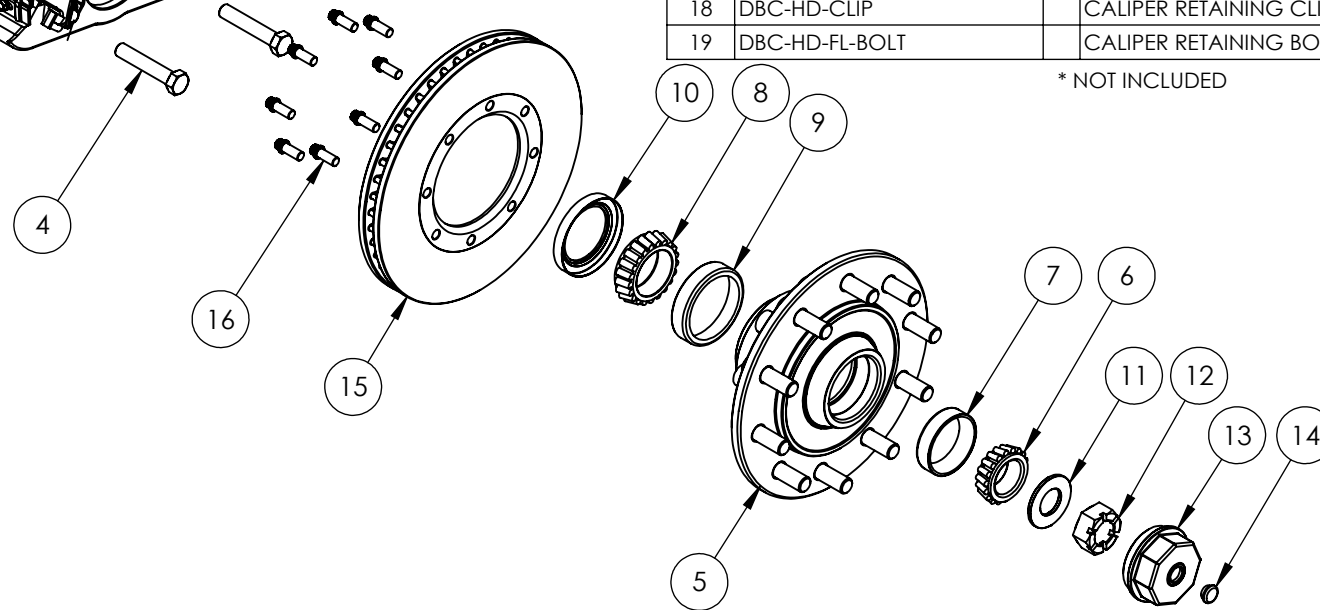


ITEM	PART NUMBER		DESCRIPTION	QTY.
1	DROP ARM-FT-6.5	*	KODIAK 6 1/2" DROP ARM	1
2	SPINDLE-160-FT	*	#160 SPINDLE	1
3	CMB2-15-14		KODIAK CALIPER MOUNTING BRACKET	1
4	HFBOLT-0.75-16x4x1.75-N		3/4-16UNFX3 1/2 HEX BOLT	3
5	HUB SPACER 160-SW-FT		KODIAK HUB SPACER	1
6	JM205149	*	OUTER BEARING CONE	1
7	JM205110		OUTER BEARING CUP	1
8	39590	*	INNER BEARING CONE	1
9	39520		INNER BEARING CUP	1
10	568217 OR 091023	*	OIL SEAL	1
11	NPN	*	SPINDLE WASHER	1
12	NPN	*	SPINDLE NUT	1
13	Q-10-14K-PCAP		KODIAK POLYCARBONATE DUSTCAP	1
14	Q-10K-RUBBER PLUG		DUSTCAP PLUG	1
15	ROTOR-15-FT		KODIAK 15" ROTOR; 6.41 PILOT, 8" BOLT CIRCLE	1
16	ROTOR-11&13 BOLT		1/2-13UNCx1 1/4 FLANGE HEAD	8
17	DBC-2250		KODIAK CALIPER (LOADED)	2
18	DBC-HD-CLIP		CALIPER RETAINING CLIP	4
19	DBC-HD-FL-BOLT		CALIPER RETAINING BOLT	4

* NOT INCLUDED



NOTE: On air ride suspensions, Kodiak recommends "clocking" calipers as close to the lowest amplitude point as possible on the wheel end assembly.



7600 SAND STREET
FORT WORTH, TX 76118
PHONE 817-284-2324
FAX 817-595-2643
www.kodiaktrailer.com
Email: kodiak@kodiaktrailer.com

THE INFORMATION CONTAINED IN THIS DRAWING IS THE SOLE PROPERTY OF KODIAK TRAILER COMPONENTS. ANY REPRODUCTION IN PART OR AS A WHOLE WITHOUT THE WRITTEN PERMISSION OF KODIAK TRAILER COMPONENTS IS PROHIBITED. PROPRIETARY AND CONFIDENTIAL

UNLESS OTHERWISE SPECIFIED:

DIMENSIONS ARE IN INCHES
TOLERANCES:
FRACTIONAL: 1/64"
ANGULAR: MACH ± .5 DEG.
BEND ± 1 DEG.
TWO PLACE DECIMAL ± .01
THREE PLACE DECIMAL ± .005

DATE

12/23/2014

REVISION

03/25/2015

C

RCMHS-15-14FTH
EXPLODED VIEW