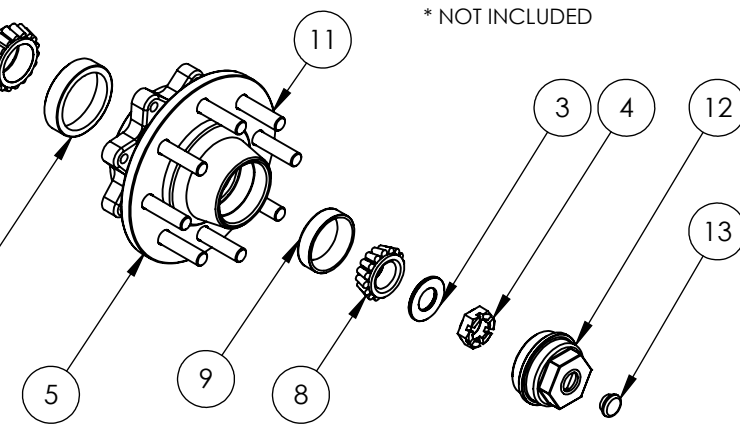


ITEM	PART NUMBER	DESCRIPTION	QTY.
1	NPN	* #42 SPINDLE	1
2	NPN	* STANDARD 8K BRAKE FLANGE	1
3	NPN	* SPINDLE WASHER	1
4	NPN	* SPINDLE NUT	1
5	HUB SPACER 42	KODIAK HUB SPACER	1
6	25580	* INNER BEARING CONE	1
7	25520	INNER BEARING CUP	1
8	02475	* OUTER BEARING CONE	1
9	02420	OUTER BEARING CUP	1
10	472920 (NATIONAL)	* OIL SEAL	1
11	LB2.5	9/16-18UNF LUG STUD	1
12	ROTOR/HUB-8-PCAP	POLYCARBONATE DUSTCAP	1
13	NPN	DUSTCAP PLUG	1
14	ROTOR-10-11Q	KODIAK 11.3" ROTOR	1
15	ROTOR-11&13 BOLT	1/2-13UNCx1 1/4 FLANGE HEAD	8
16	CMB-11-8AHD	KODIAK CALIPER MOUNTING BRACKET	1
17	NPN	* 1/2-20UNFx1 3/4 HEX BOLT	4
18	NPN	* 1/2 LOCKWASHER	4
19	NPN	* 1/2-20UNF NUT	4
20	DBC-2250	KODIAK CALIPER (LOADED)	1
21	DBC-HD-CLIP	CALIPER RETAINING CLIP	2
22	DBC-HD-FLBOLT	CALIPER RETAINING BOLT	2

* NOT INCLUDED



NOTE: On air ride suspensions, Kodiak recommends "clocking" calipers as close to the lowest amplitude point as possible on the wheel end assembly.



7600 SAND STREET
 FORT WORTH, TX 76118
 PHONE 817-284-2324
 FAX 817-595-2643
 www.kodiaktrailer.com
 Email: kodiak@kodiaktrailer.com

THE INFORMATION CONTAINED IN THIS DRAWING IS THE SOLE PROPERTY OF KODIAK TRAILER COMPONENTS. ANY REPRODUCTION IN PART OR AS A WHOLE WITHOUT THE WRITTEN PERMISSION OF KODIAK TRAILER COMPONENTS IS PROHIBITED. PROPRIETARY AND CONFIDENTIAL

UNLESS OTHERWISE SPECIFIED:
 DIMENSIONS ARE IN INCHES
 TOLERANCES:
 FRACTIONAL: ± 1/64"
 ANGULAR: MACH ± .5 DEG.
 BEND ± 1 DEG.
 TWO PLACE DECIMAL ± .01
 THREE PLACE DECIMAL ± .005

DATE
 09/20/2015
 REVISION
 09/20/2015

©

**RCMHS-11-8A-9-HD
 EXPLODED VIEW**