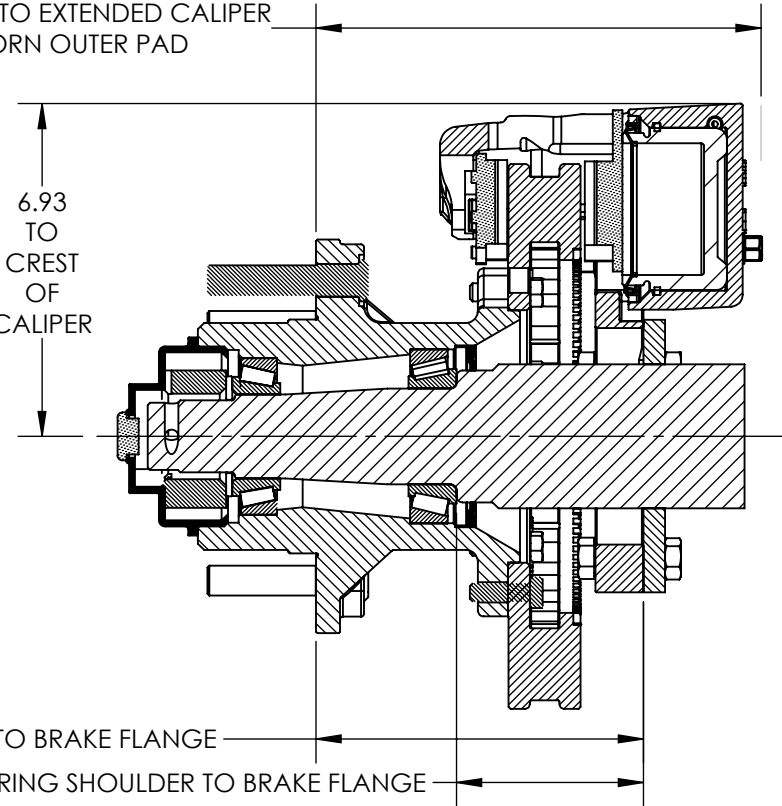


9.27 HUB FACE TO EXTENDED CALIPER  
WITH WORN OUTER PAD

6.93  
TO  
CREST  
OF  
CALIPER

6.82 HUB FACE TO BRAKE FLANGE

3.89 INNER BEARING SHOULDER TO BRAKE FLANGE



SECTION A-A



7600 SAND STREET  
FORT WORTH, TX 76118  
PHONE 817-284-2324  
FAX 817-595-2643  
www.kodiaktrailer.com  
Email: kodiak@kodiaktrailer.com

THE INFORMATION CONTAINED IN THIS  
DRAWING IS THE SOLE PROPERTY OF  
KODIAK TRAILER COMPONENTS. ANY  
REPRODUCTION IN PART OR AS A WHOLE  
WITHOUT THE WRITTEN PERMISSION OF  
KODIAK TRAILER COMPONENTS IS  
PROHIBITED.  
PROPRIETARY AND CONFIDENTIAL

UNLESS OTHERWISE SPECIFIED:

DIMENSIONS ARE IN INCHES  
TOLERANCES:  
FRACTIONAL:  $\pm 1/64"$   
ANGULAR: MACH  $\pm .5$  DEG.  
BEND  $\pm 1$  DEG.  
TWO PLACE DECIMAL  $\pm .01$   
THREE PLACE DECIMAL  $\pm .005$

DATE

01/14/2012

REVISION

03/25/2015

©

REPLACED BY RCMHS-11-10QHD

**RCMHS-11-10Q  
SECTION VIEW**