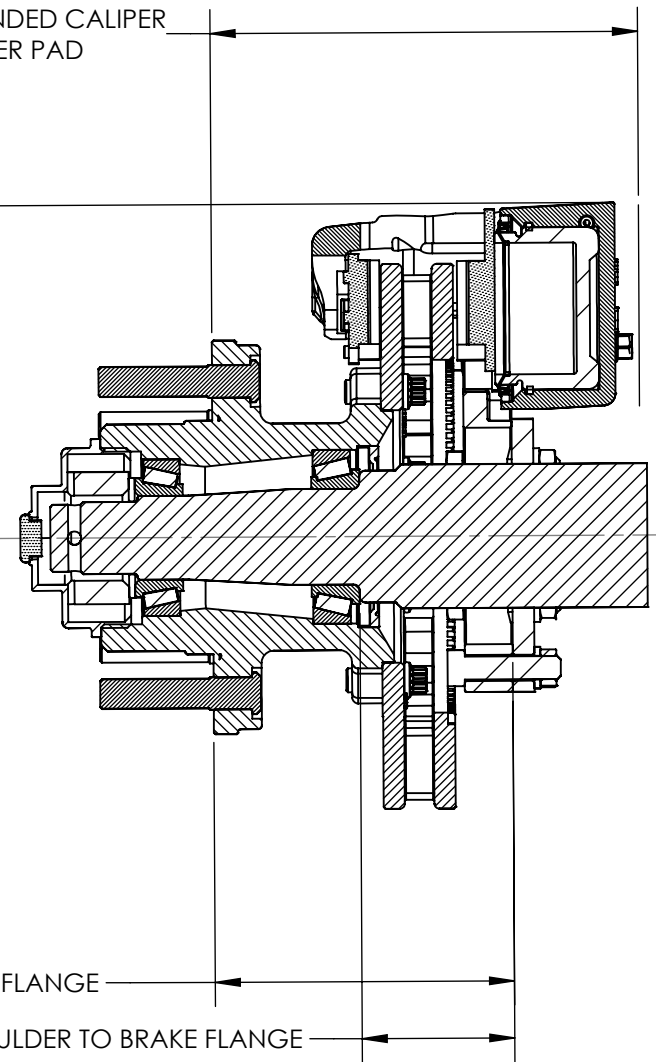


8.90 HUB FACE TO EXTENDED CALIPER
WITH WORN OUTER PAD

6.93
TO
CREST
OF
CALIPER



6.23 HUB FACE TO BRAKE FLANGE

3.18 INNER BEARING SHOULDER TO BRAKE FLANGE

SECTION A-A



7600 SAND STREET
FORT WORTH, TX 76118
PHONE 817-284-2324
FAX 817-595-2643
www.kodiaktrailer.com
Email: kodiak@kodiaktrailer.com

THE INFORMATION CONTAINED IN THIS DRAWING IS THE SOLE PROPERTY OF KODIAK TRAILER COMPONENTS. ANY REPRODUCTION IN PART OR AS A WHOLE WITHOUT THE WRITTEN PERMISSION OF KODIAK TRAILER COMPONENTS IS PROHIBITED. PROPRIETARY AND CONFIDENTIAL

UNLESS OTHERWISE SPECIFIED:
DIMENSIONS ARE IN INCHES
TOLERANCES:
FRACTIONAL: $\pm 1/64"$
ANGULAR: MACH $\pm .5$ DEG.
BEND ± 1 DEG.
TWO PLACE DECIMAL $\pm .01$
THREE PLACE DECIMAL $\pm .005$

DATE	REVISION
01/14/2012	
03/25/2015	

© UPGRADED TO RCMHS-11-10AHD

**RCMHS-11-10A
SECTION VIEW**