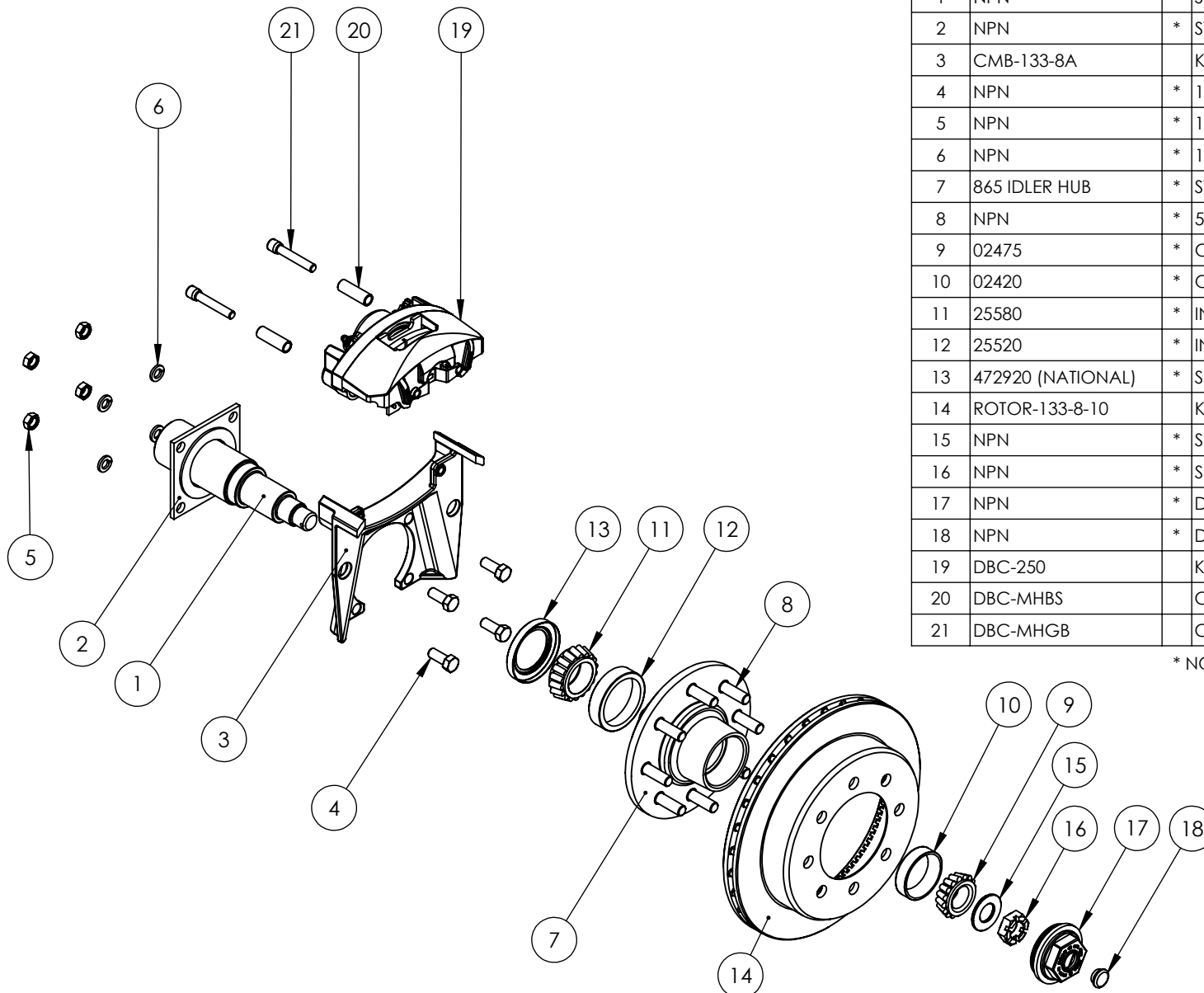


ITEM	PART NUMBER	DESCRIPTION	QTY.
1	NPN	* STANDARD #42 SPINDLE	1
2	NPN	* STANDARD BRAKE FLANGE	1
3	CMB-133-8A	KODIAK CALIPER MOUNTING BRACKET	1
4	NPN	* 1/2-20UNF x 1 1/4 HEX BOLT	4
5	NPN	* 1/2-20UNF HEX NUT	4
6	NPN	* 1/2 LOCKWASHER	4
7	865 IDLER HUB	* STANDARD IDLER HUB; 8 ON 6 1/2" B.C.	1
8	NPN	* 5/8-18UNF LUG STUDS	8
9	02475	* OUTER BEARING CONE	1
10	02420	* OUTER BEARING CUP	1
11	25580	* INNER BEARING CONE	1
12	25520	* INNER BEARING CUP	1
13	472920 (NATIONAL)	* SEAL	1
14	ROTOR-133-8-10	KODIAK 13.3" ROTOR	1
15	NPN	* SPINDLE WASHER	1
16	NPN	* SPINDLE NUT	1
17	NPN	* DUSTCAP	1
18	NPN	* DUSTCAP PLUG	1
19	DBC-250	KODIAK 250 CALIPER (LOADED)	1
20	DBC-MHBS	CALIPER SS GUIDE BOLT SLEEVE	2
21	DBC-MHGB	CALIPER SS GUIDE BOLT	2

* NOT INCLUDED



NOTE: On air ride suspensions, Kodiak recommends "clocking" calipers as close to the lowest amplitude point as possible on the wheel end assembly.



7600 SAND STREET
 FORT WORTH, TX 76118
 PHONE 817-284-2324
 FAX 817-595-2643
 www.kodiaktrailer.com
 Email: kodiak@kodiaktrailer.com

THE INFORMATION CONTAINED IN THIS DRAWING IS THE SOLE PROPERTY OF KODIAK TRAILER COMPONENTS. ANY REPRODUCTION IN PART OR AS A WHOLE WITHOUT THE WRITTEN PERMISSION OF KODIAK TRAILER COMPONENTS IS PROHIBITED. PROPRIETARY AND CONFIDENTIAL

UNLESS OTHERWISE SPECIFIED:
 DIMENSIONS ARE IN INCHES
 TOLERANCES:
 FRACTIONAL: ± 1/64"
 ANGULAR: MACH ± .5 DEG.
 BEND ± 1 DEG.
 TWO PLACE DECIMAL ± .01
 THREE PLACE DECIMAL ± .005

DATE
 12/08/2012
 REVISION
 12/10/2012

©

**RCM-133-8A-10
 EXPLODED VIEW**