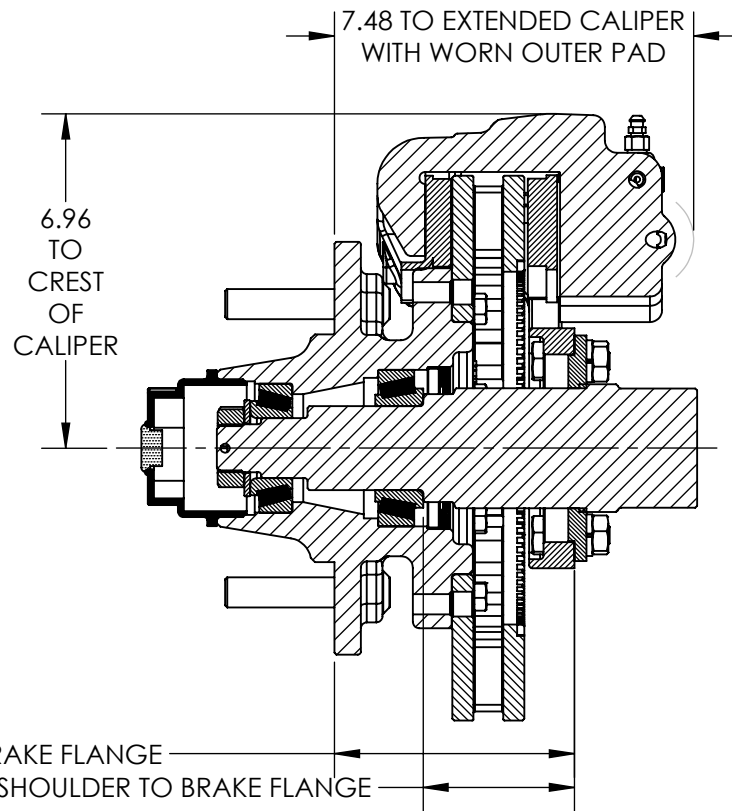


SCALE 1 : 4



SECTION A-A



7600 SAND STREET
 FORT WORTH, TX 76118
 PHONE 817-284-2324
 FAX 817-595-2643
 www.kodiaktrailer.com
 Email: kodiak@kodiaktrailer.com

THE INFORMATION CONTAINED IN THIS DRAWING IS THE SOLE PROPERTY OF KODIAK TRAILER COMPONENTS. ANY REPRODUCTION IN PART OR AS A WHOLE WITHOUT THE WRITTEN PERMISSION OF KODIAK TRAILER COMPONENTS IS PROHIBITED.
 PROPRIETARY AND CONFIDENTIAL

UNLESS OTHERWISE SPECIFIED:

DIMENSIONS ARE IN INCHES
 TOLERANCES:
 FRACTIONAL ± 1/64"
 ANGULAR: MACH ± .5 DEG.
 BEND ± 1 DEG.
 TWO PLACE DECIMAL ± .01
 THREE PLACE DECIMAL ± .005

DATE

03/05/2014

REVISION

03/05/2014

C

RCMHS-11-8D-9-HD
SECTION VIEW