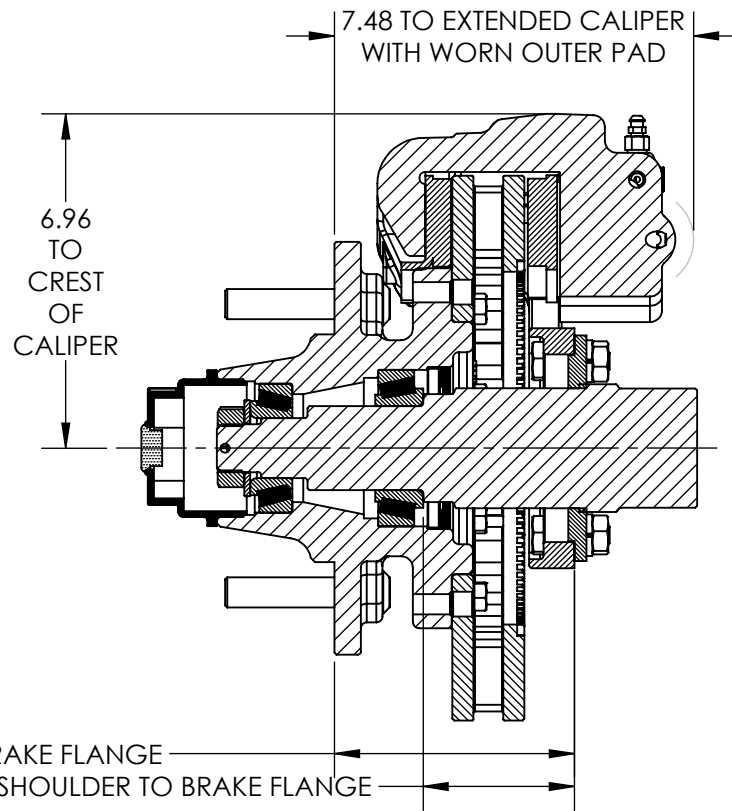


SCALE 1 : 4



SECTION A-A



7600 SAND STREET  
 FORT WORTH, TX 76118  
 PHONE 817-284-2324  
 FAX 817-595-2643  
 www.kodiaktrailer.com  
 Email: kodiak@kodiaktrailer.com

THE INFORMATION CONTAINED IN THIS DRAWING IS THE SOLE PROPERTY OF KODIAK TRAILER COMPONENTS. ANY REPRODUCTION IN PART OR AS A WHOLE WITHOUT THE WRITTEN PERMISSION OF KODIAK TRAILER COMPONENTS IS PROHIBITED.  
 PROPRIETARY AND CONFIDENTIAL

UNLESS OTHERWISE SPECIFIED:

DIMENSIONS ARE IN INCHES  
 TOLERANCES:  
 FRACTIONAL ± 1/64"  
 ANGULAR: MACH ± .5 DEG.  
 BEND ± 1 DEG.  
 TWO PLACE DECIMAL ± .01  
 THREE PLACE DECIMAL ± .005

DATE

03/05/2014

REVISION

03/05/2014

C

**RCMHS-11-8D-10-HD  
 SECTION VIEW**