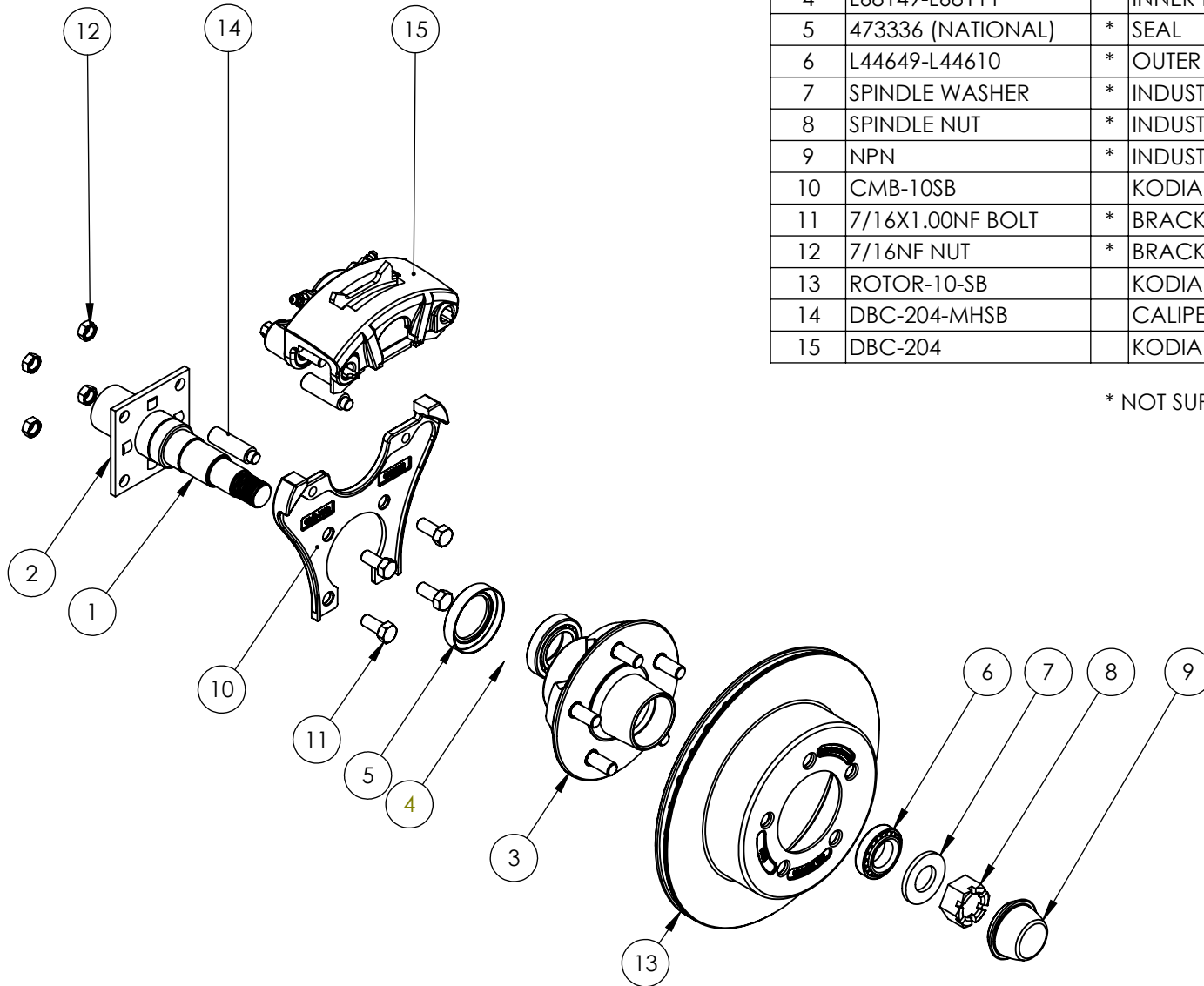


ITEM	PART NUMBER		DESCRIPTION	QTY.
1	SPINDLE	*	#84 SPINDLE	1
2	BRAKE FLANGE	*	3K BRAKE FLANGE	1
3	HUB	*	3K 545 HUB	1
4	L68149-L68111	*	INNER BEARING SET	
5	473336 (NATIONAL)	*	SEAL	
6	L44649-L44610	*	OUTER BEARING SET	
7	SPINDLE WASHER	*	INDUSTRY STANDARD HARDWARE	1
8	SPINDLE NUT	*	INDUSTRY STANDARD HARDWARE	1
9	NPN	*	INDUSTRY STANDARD HARDWARE	1
10	CMB-10SB		KODIAK CALIPER MOUNTING BRACKET	1
11	7/16X1.00NF BOLT	*	BRACKET MOUNTING BOLTS	4
12	7/16NF NUT	*	BRACKET MOUNTING NUTS	4
13	ROTOR-10-SB		KODIAK 3K SLOTTED ROTOR	2
14	DBC-204-MHSB		CALIPER SS GUIDE BOLTS	2
15	DBC-204		KODIAK 204 CALIPER ASSEMBLY (LOADED)	1



* NOT SUPPLIED BY KODIAK



7600 SAND STREET
 FORT WORTH, TX 76118
 PHONE 817-284-2324
 FAX 817-595-2643
 www.kodiaktrailer.com
 Email: kodiak@kodiaktrailer.com

THE INFORMATION CONTAINED IN THIS DRAWING IS THE SOLE PROPERTY OF KODIAK TRAILER COMPONENTS. ANY REPRODUCTION IN PART OR AS A WHOLE WITHOUT THE WRITTEN PERMISSION OF KODIAK TRAILER COMPONENTS IS PROHIBITED.
 PROPRIETARY AND CONFIDENTIAL

UNLESS OTHERWISE SPECIFIED:

DIMENSIONS ARE IN INCHES
 TOLERANCES:
 FRACTIONAL: $\pm 1/64$ "
 ANGULAR: MACH $\pm .5$ DEG.
 BEND ± 1 DEG.
 TWO PLACE DECIMAL $\pm .01$
 THREE PLACE DECIMAL $\pm .005$

DATE

01/20/2012

REVISION

03/05/2013

C

**RCM-10 SB
 EXPLODED VIEW**